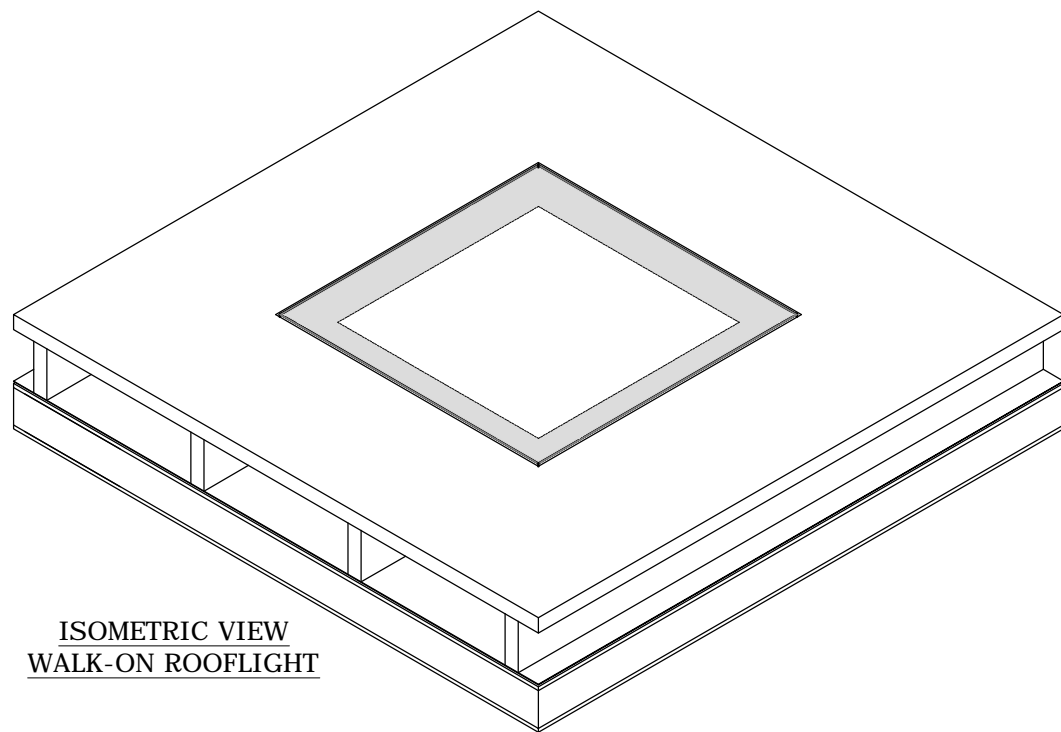
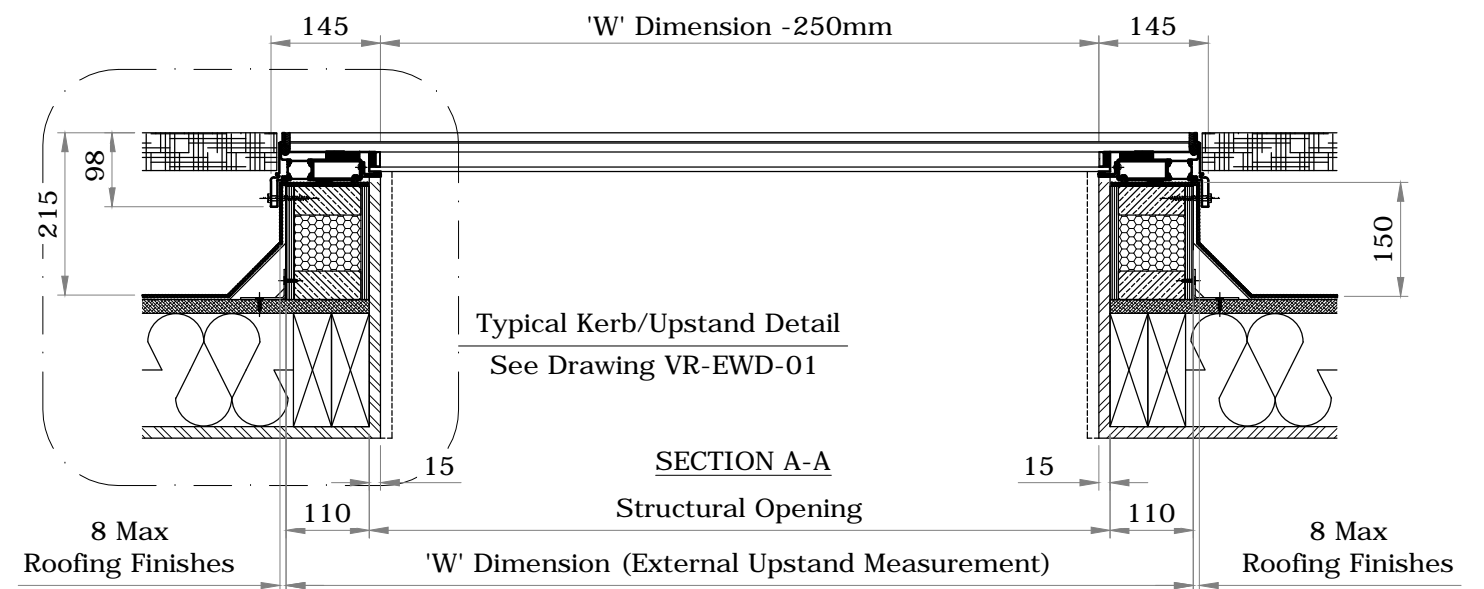
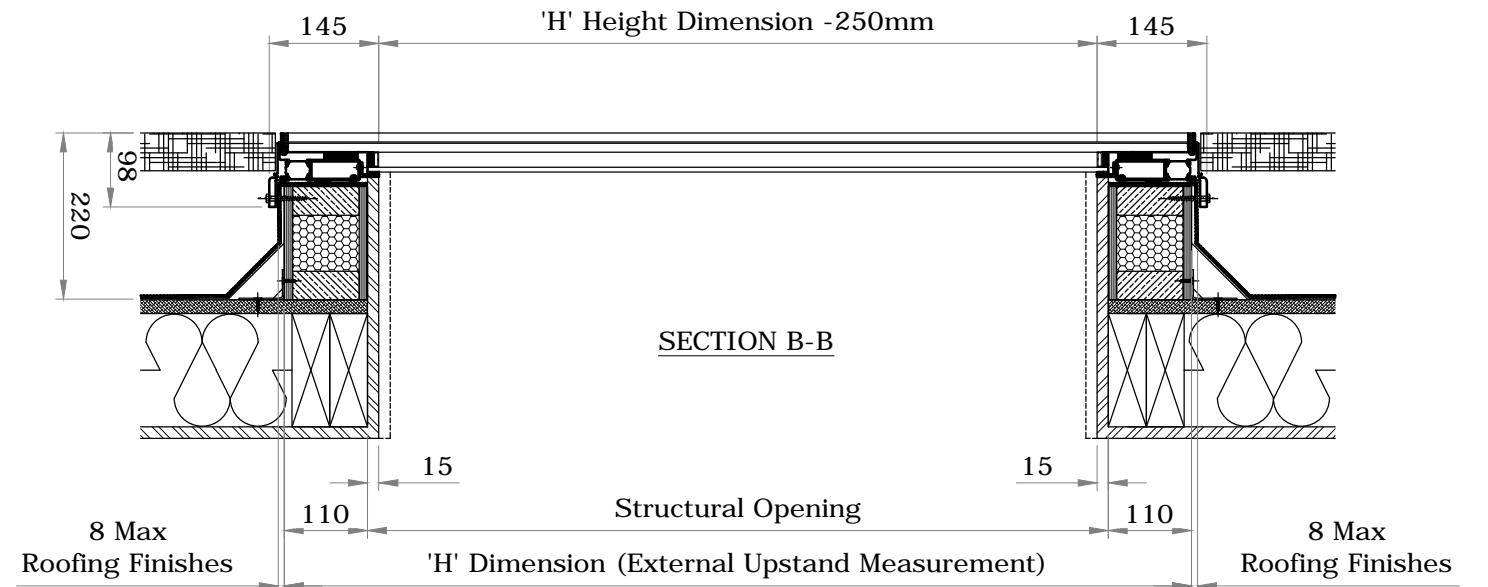


PLAN VIEW WALK-ON ROOFLIGHT



ISOMETRIC VIEW WALK-ON ROOFLIGHT



GENERAL NOTES

1. NO DIMENSIONS ARE TO BE SCALED FROM THIS DRAWING.
2. DISCREPANCIES IN SITE DIMENSIONS TO BE REPORTED TO VISION AGI LTD.
3. ALL DIMENSIONS IN MILLIMETERS.
4. ALL LEVELS IN METRES.
5. THIS DRAWING REMAINS THE PROPERTY OF VISION AGI LIMITED AND MAY NOT BE COPIED, REPRODUCED OR IT'S CONTENTS DIVULGED WITHOUT PRIOR WRITTEN CONSENT FROM VISION AGI LIMITED.



Rev	Date	Init	Revision

Rooflight Solutions LTD
 44 Berry Street
 Wolverhampton
 WV1 1HA
 T: 0800 999 7774
 W: rooflightsolutions.co.uk



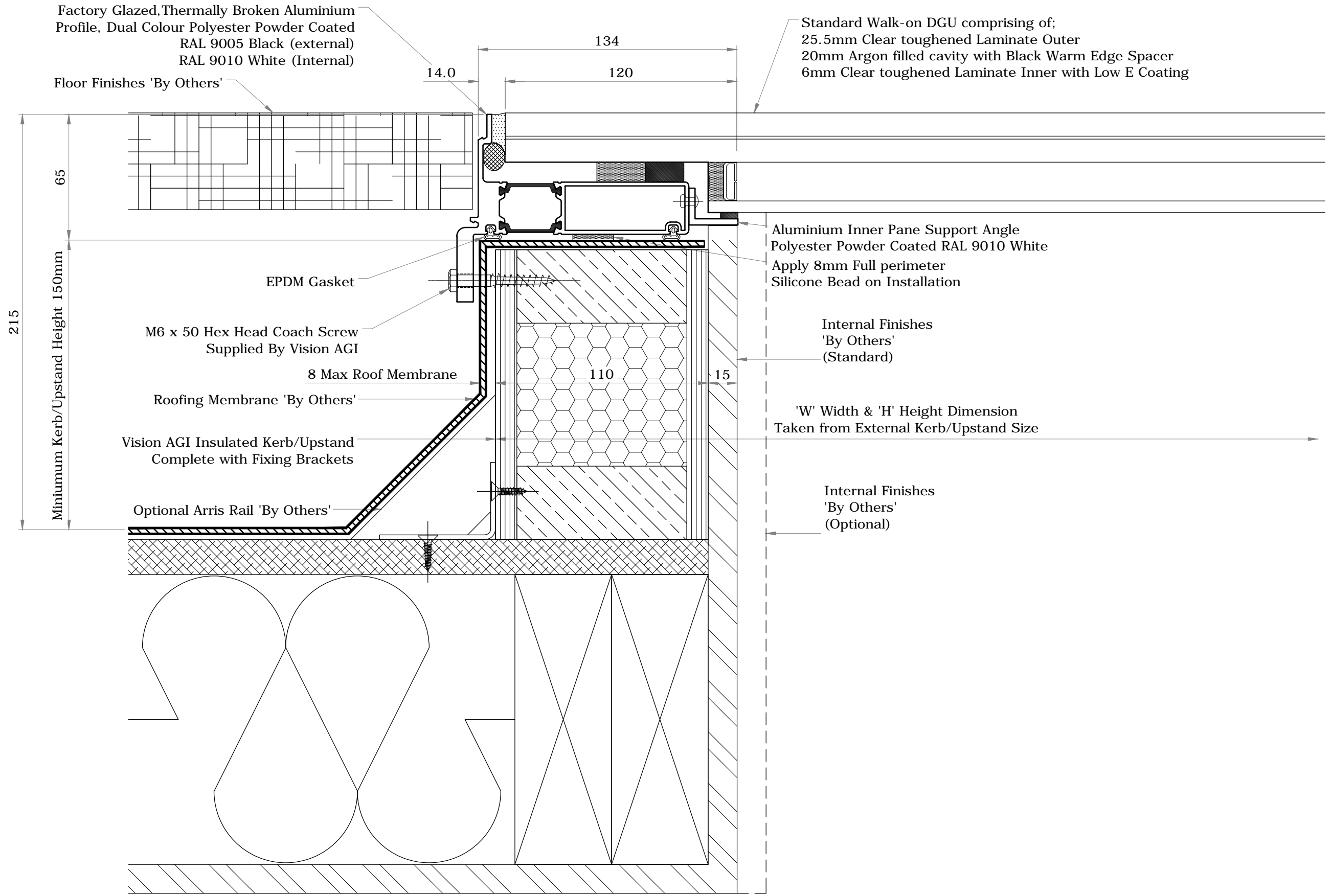
Client:

Title: External Walk-on Rooflight

Project: RLS Rooflight

Scales: 1: 10 @ A3	Date: 23/10/13	Drawn: GSH	Chk: EW
--------------------	----------------	------------	---------

Drg No.: VR-EW-01	Rev: A
-------------------	--------



GENERAL NOTES

1. NO DIMENSIONS ARE TO BE SCALED FROM THIS DRAWING.
2. DISCREPANCIES IN SITE DIMENSIONS TO BE REPORTED TO VISION AGI LTD.
3. ALL DIMENSIONS IN MILLIMETERS.
4. ALL LEVELS IN METRES.
5. THIS DRAWING REMAINS THE PROPERTY OF VISION AGI LIMITED AND MAY NOT BE COPIED, REPRODUCED OR IT'S CONTENTS DIVULGED WITHOUT PRIOR WRITTEN CONSENT FROM VISION AGI LIMITED.

Rev	Date	Init	Revision

Rooflight Solutions LTD
 44 Berry Street
 Wolverhampton
 WV1 1HA
 T: 0800 999 7774
 W: rooflightsolutions.co.uk



Client:				Title: External Walk-On Rooflight Kerb/Upstand Section Detail			
Project: RLS Rooflight				Scales: 1:2 @ A3			
Date: 23/10/13		Drawn: GSH		Chk: EW		Rev: A	
Drg No.: VR-EWD-01							