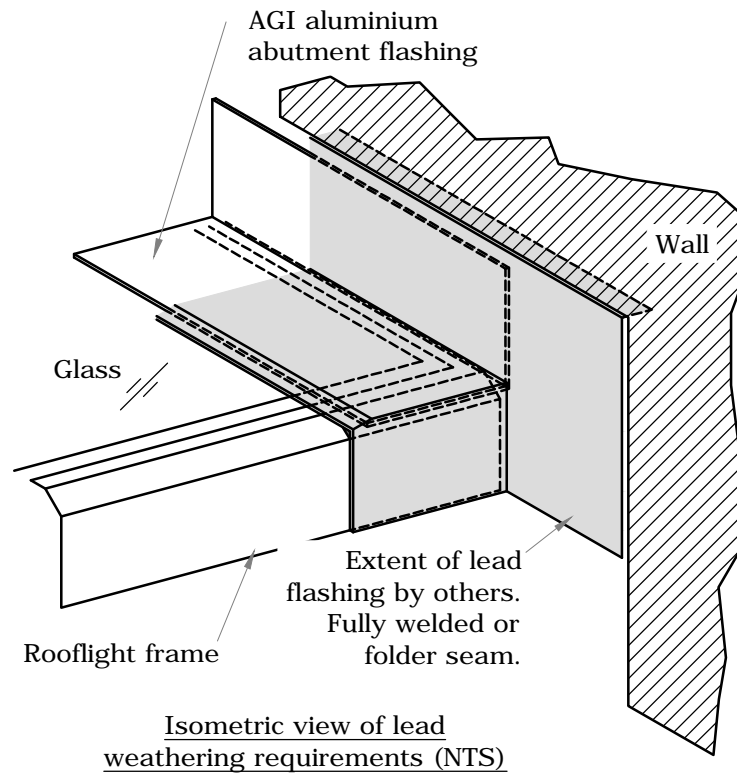
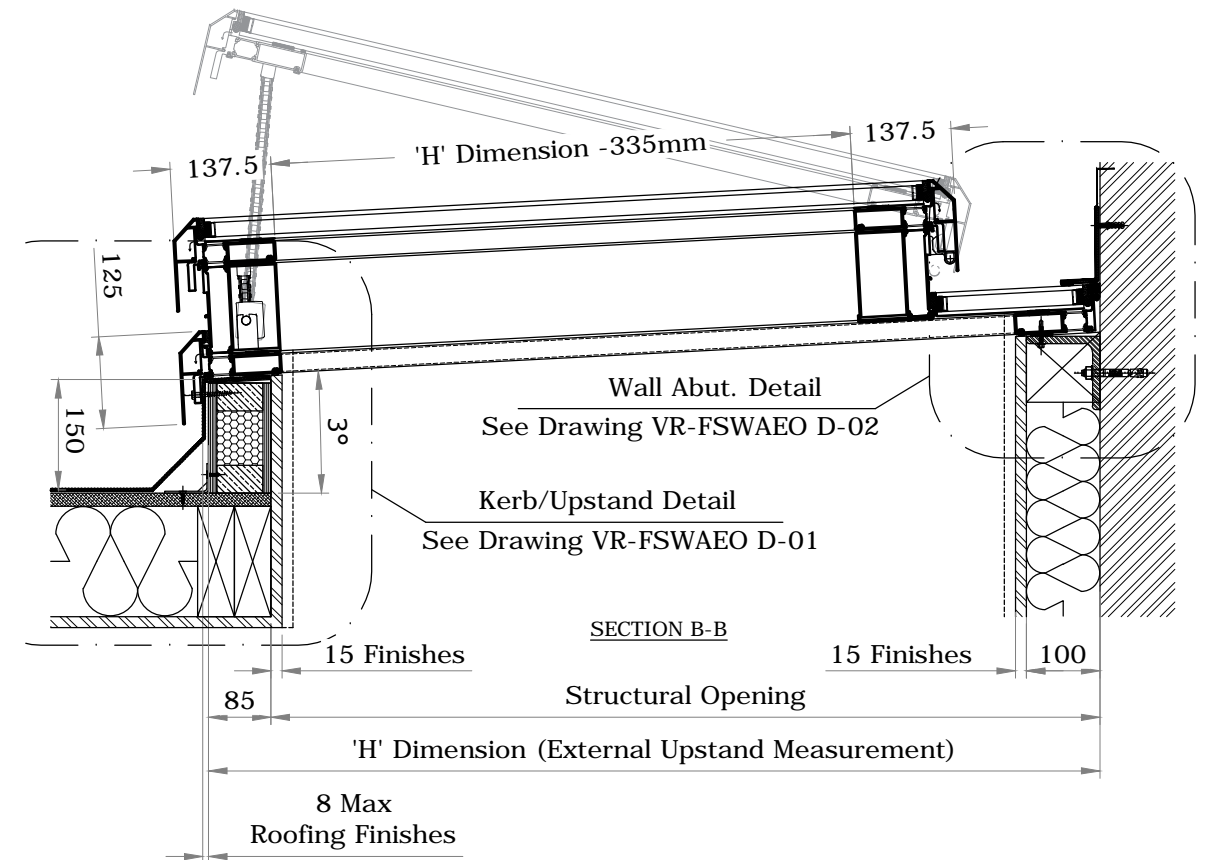


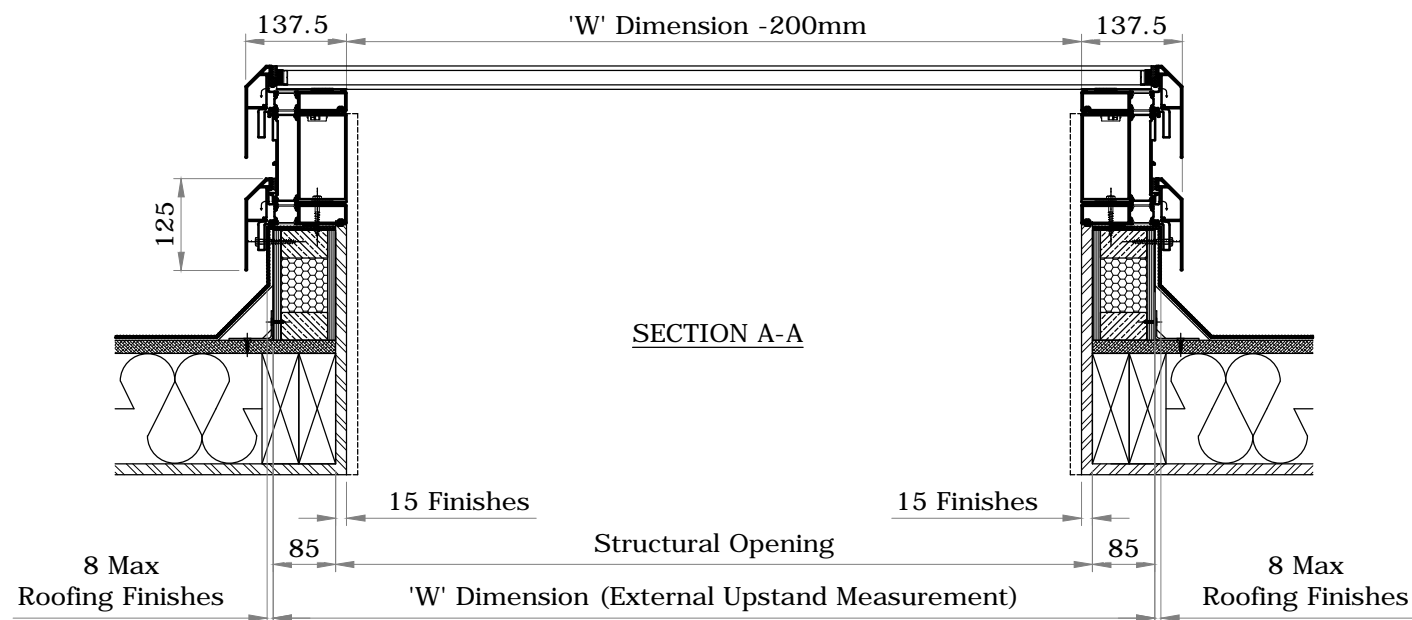
PLAN VIEW  
ELECTRIC OPENING ROOFLIGHT  
IN CLOSED POSITION



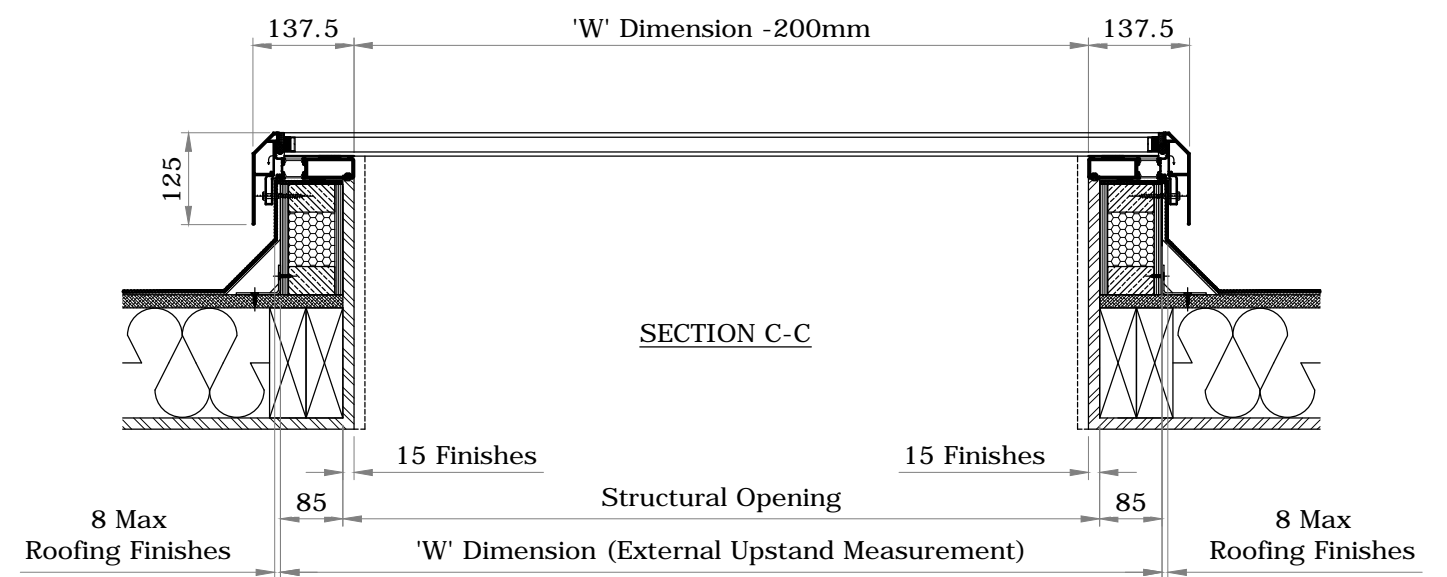
Isometric view of lead weathering requirements (NTS)



SECTION B-B



SECTION A-A

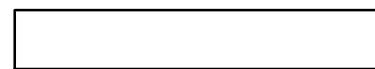


SECTION C-C



GENERAL NOTES

1. NO DIMENSIONS ARE TO BE SCALED FROM THIS DRAWING.
2. DISCREPANCIES IN SITE DIMENSIONS TO BE REPORTED TO VISION AGI LTD.
3. ALL DIMENSIONS IN MILLIMETERS.
4. ALL LEVELS IN METRES.
5. THIS DRAWING REMAINS THE PROPERTY OF VISION AGI LIMITED AND MAY NOT BE COPIED, REPRODUCED OR IT'S CONTENTS DIVULGED WITHOUT PRIOR WRITTEN CONSENT FROM VISION AGI LIMITED.



Rev	Date	Init	Revision

Rooflight Solutions LTD  
44 Berry Street  
Wolverhampton  
WV1 1HA  
T: 0800 999 7774  
W: rooflightsolutions.co.uk



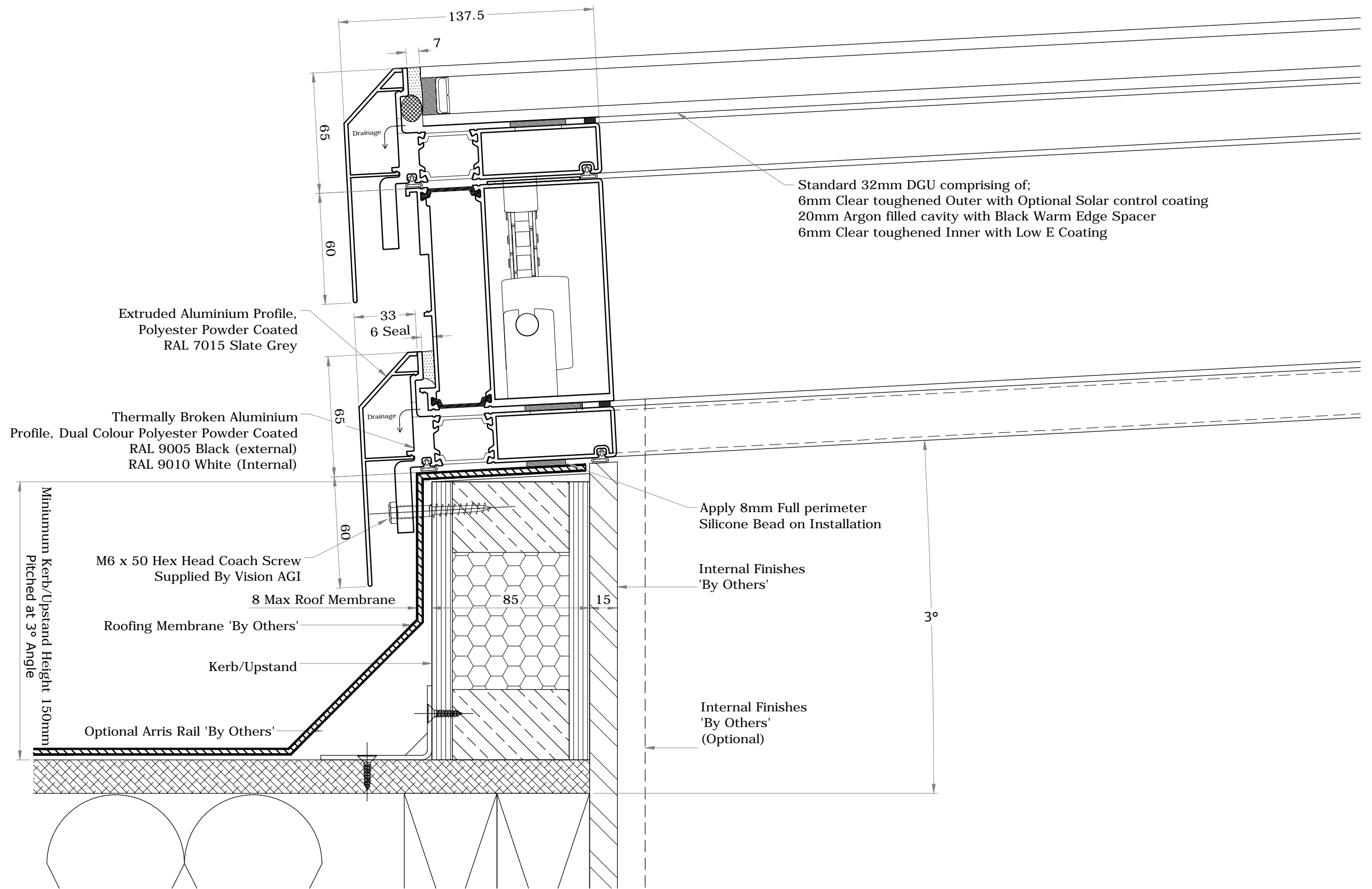
Client:

Title: Skylight with Wall Abutment & Electric Opening Section

Project: RLS Rooflight

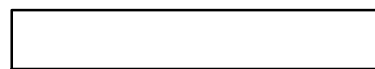
Scales: 1: 10 @ A3 Date: 25/07/16 Drawn: CWH Chk: GSH

Drg No.: VR-FSWAEO-01 Rev: A



**GENERAL NOTES**

1. NO DIMENSIONS ARE TO BE SCALED FROM THIS DRAWING.
2. DISCREPANCIES IN SITE DIMENSIONS TO BE REPORTED TO VISION AGI LTD.
3. ALL DIMENSIONS IN MILLIMETERS.
4. ALL LEVELS IN METRES.
5. THIS DRAWING REMAINS THE PROPERTY OF VISION AGI LIMITED AND MAY NOT BE COPIED, REPRODUCED OR IT'S CONTENTS DIVULGED WITHOUT PRIOR WRITTEN CONSENT FROM VISION AGI LIMITED.

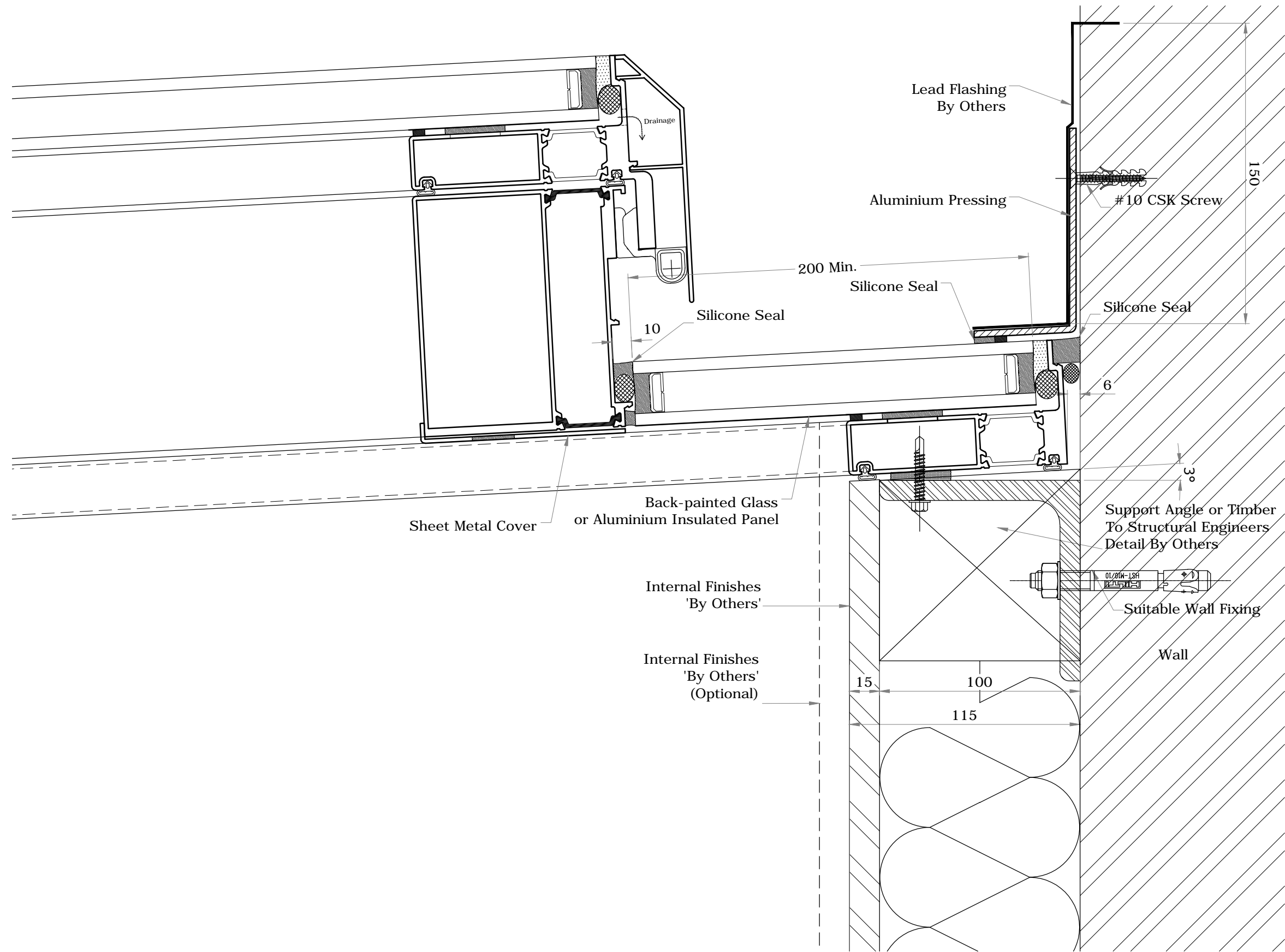


Rev	Date	Init	Revision

Rooflight Solutions LTD  
44 Berry Street  
Wolverhampton  
WV1 1HA  
T: 0800 999 7774  
W: rooflightsolutions.co.uk

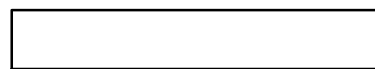


Client:		Title: Fixed Skylight Kerb/Upstand Section Detail	
Project: RLS Rooflight		Scales: 1:2 @ A3	
Date: 25/07/16	Drawn: CWH	Chk: GSH	Rev: -
Drg No.: VR-FSWAEO-01			



**GENERAL NOTES**

1. NO DIMENSIONS ARE TO BE SCALED FROM THIS DRAWING.
2. DISCREPANCIES IN SITE DIMENSIONS TO BE REPORTED TO VISION AGI LTD.
3. ALL DIMENSIONS IN MILLIMETERS.
4. ALL LEVELS IN METRES.
5. THIS DRAWING REMAINS THE PROPERTY OF VISION AGI LIMITED AND MAY NOT BE COPIED, REPRODUCED OR IT'S CONTENTS DIVULGED WITHOUT PRIOR WRITTEN CONSENT FROM VISION AGI LIMITED.



Rev	Date	Init	Revision

Rooflight Solutions LTD  
 44 Berry Street  
 Wolverhampton  
 WV1 1HA  
 T: 0800 999 7774  
 W: rooflightsolutions.co.uk



Client:

Title: **Fixed Skylight  
 Wall Abutment Section Detail**

Project: **RLS Rooflight**

Scales: 1:2 @ A3	Date: 25/07/16	Drawn: CWH	Chk: GSH
------------------	----------------	------------	----------

Drg No.: VR-FSWAEO-02	Rev: -
-----------------------	--------